

IPER LED

Plafoniera LED



[V] 220-240 AC	[Hz] 50	[°] 120	≥50000	[h] 50000	ellipse ≤ 6x Mackdam	Ra 80
Hg	SMD			IP 65		°C -20÷40
	IK 10		[mm²] 1,5	0,5m	CE	EAC
UK CA						



IPER LED 10W-NW-O



	[W]	[lm]	Tc [K]		
IPER LED 10W-NW-O	37290	10	1200	4000	bílá
IPER LED 19W-NW-O	37291	19	2280	4000	bílá
IPER LED 26W-NW-O	37292	26	3120	4000	bílá
IPER LED 35W-NW-O	37293	35	4200	4000	bílá
IPER LED 10W-NW-L	37294	10	1200	4000	bílá
IPER LED 19W-NW-L	37295	19	2280	4000	bílá
IPER LED 26W-NW-L	37296	26	3120	4000	bílá
IPER LED 35W-NW-L	37297	35	4200	4000	bílá
IPER LED 10W-NW-O-SE	37298	10	1200	4000	bílá mikrovlňný
IPER LED 19W-NW-O-SE	37299	19	2280	4000	bílá mikrovlňný
IPER LED 26W-NW-O-SE	37300	26	3120	4000	bílá mikrovlňný
IPER LED 35W-NW-O-SE	37301	35	4200	4000	bílá mikrovlňný
IPER LED 10W-NW-L-SE	37302	10	1200	4000	bílá mikrovlňný
IPER LED 19W-NW-L-SE	37303	19	2280	4000	bílá mikrovlňný
IPER LED 26W-NW-L-SE	37304	26	3120	4000	bílá mikrovlňný
IPER LED 35W-NW-L-SE	37305	35	4200	4000	bílá mikrovlňný

- 5 lat Gwarancji na warunkach oświadczenia gwarancyjnego, dostępnego na stronie internetowej
- Materiał obudowy: tworzywo sztuczne
- Materiał klosza: tworzywo sztuczne

Dokument utworzono: 26.10.2023, 13:20

Zastrzega się możliwość wprowadzenia zmian technicznych. Dane zawarte w tym katalogu nie są prawnie wiążące.

IPER LED

Plafoniera LED



IPER LED 10W-NW-O



IPER LED 19W-NW-O



IPER LED 26W-NW-O



IPER LED 35W-NW-O



IPER LED 10W-NW-L



IPER LED 19W-NW-L



IPER LED 26W-NW-L



IPER LED 35W-NW-L



IPER LED 10W-NW-O-SE



IPER LED 19W-NW-O-SE



IPER LED 26W-NW-O-SE



IPER LED 35W-NW-O-SE

IPER LED

Plafoniera LED



IPER LED 10W-NW-L-SE



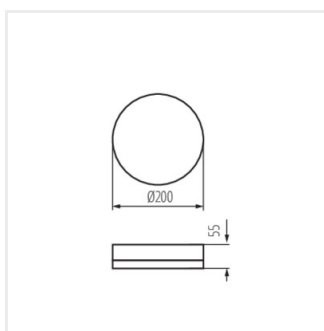
IPER LED 19W-NW-L-SE



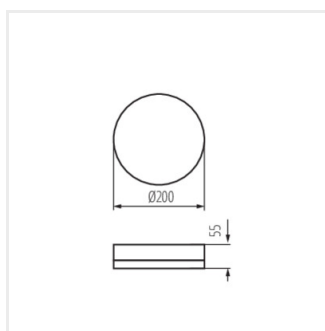
IPER LED 26W-NW-L-SE



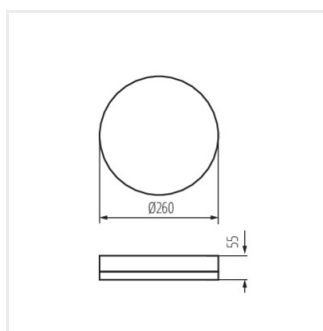
IPER LED 35W-NW-L-SE



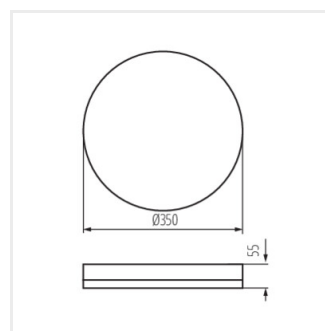
IPER LED 10W-NW-O



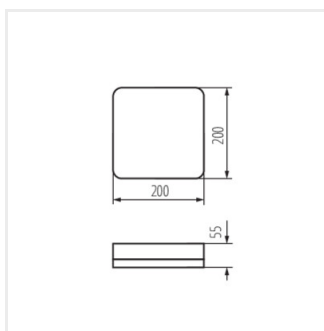
IPER LED 19W-NW-O



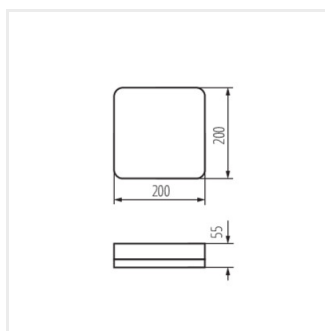
IPER LED 26W-NW-O



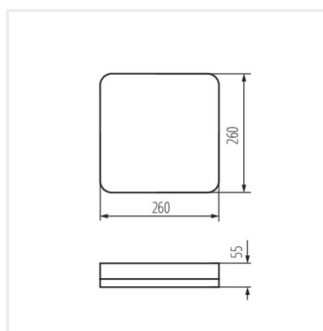
IPER LED 35W-NW-O



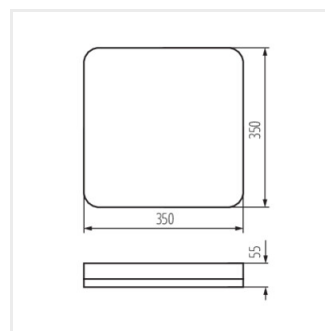
IPER LED 10W-NW-L



IPER LED 19W-NW-L



IPER LED 26W-NW-L



IPER LED 35W-NW-L